

485BAT3 INFORMATION NOTES

Ctech Camera Integration Tools

A Division of CCTV Integration Parts

Power

The 485BAT3 can be powered using three different methods depending on your field requirements.

1. Hardwired 110Vac Plug in Power Supply
 - a. Provided with Unit 12Vdc-100Ma
2. Communication Port Powered
 - a. Uses the Handshake lines on older laptops
3. Internal Batteries (2-AAA) Provided
 - a. Switch enables power under these conditions:
 - i. No handshake lines wired 3-wire data
 - ii. New Laptop with limited communication port power
 - iii. Using USB to RS232 Communication Port

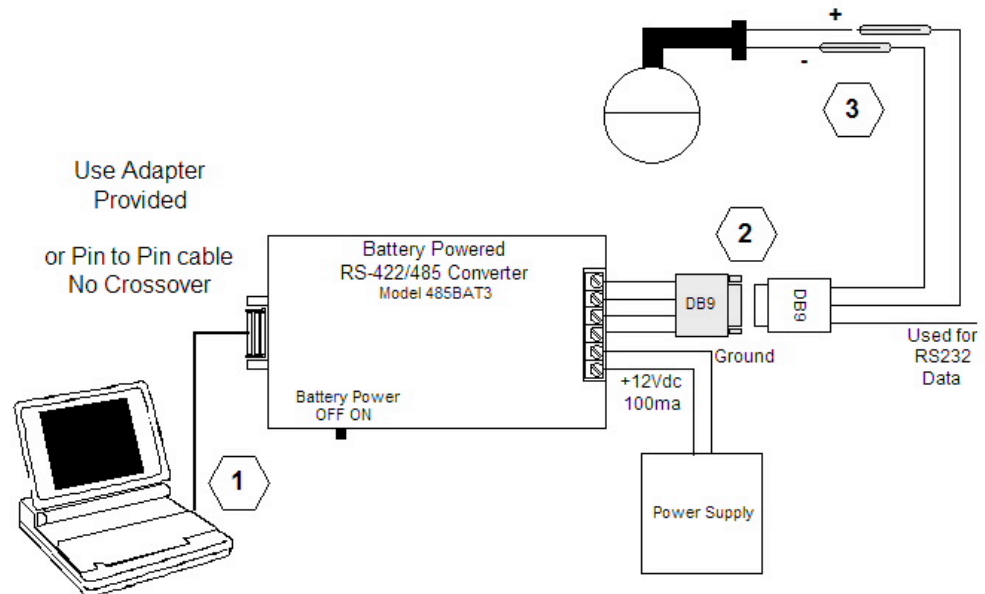
Set Up Switches

For all standard operations switches are “Echo=OFF” “RS485=ON”

Connections

The 485BAT3 has three data connections for full operations.

1. Connect RS232 (DB9) to available Communications Port
2. Connect Test Cable Provided to Terminal Output (DB9)
3. Connect EZ-Hooks onto camera data lines



Please Note: If you have no operation, switch the + and – leads.



CAMTech

380 HARGRAVE ST
INGLEWOOD, CA. 90302

CAMTECHTESTER.COM
CAMTECH@PACBELL.NET

INFORMATION NOTE # IN-CT-CN-KT-005

2/20/06